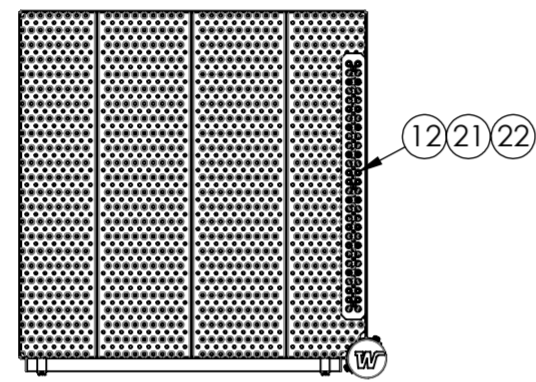
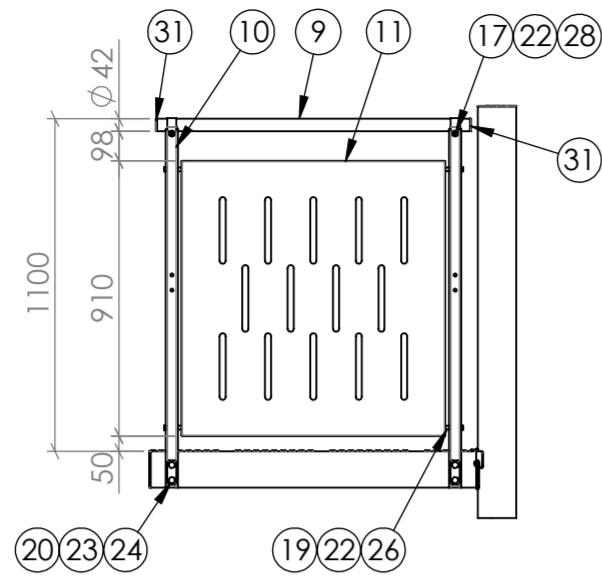
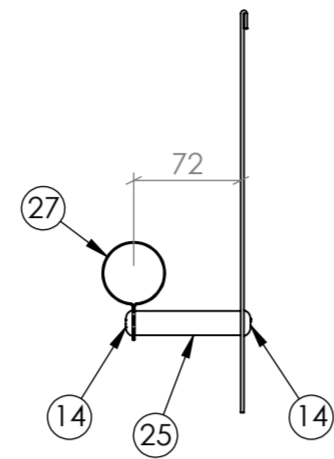


Attachment to central newel
1:5

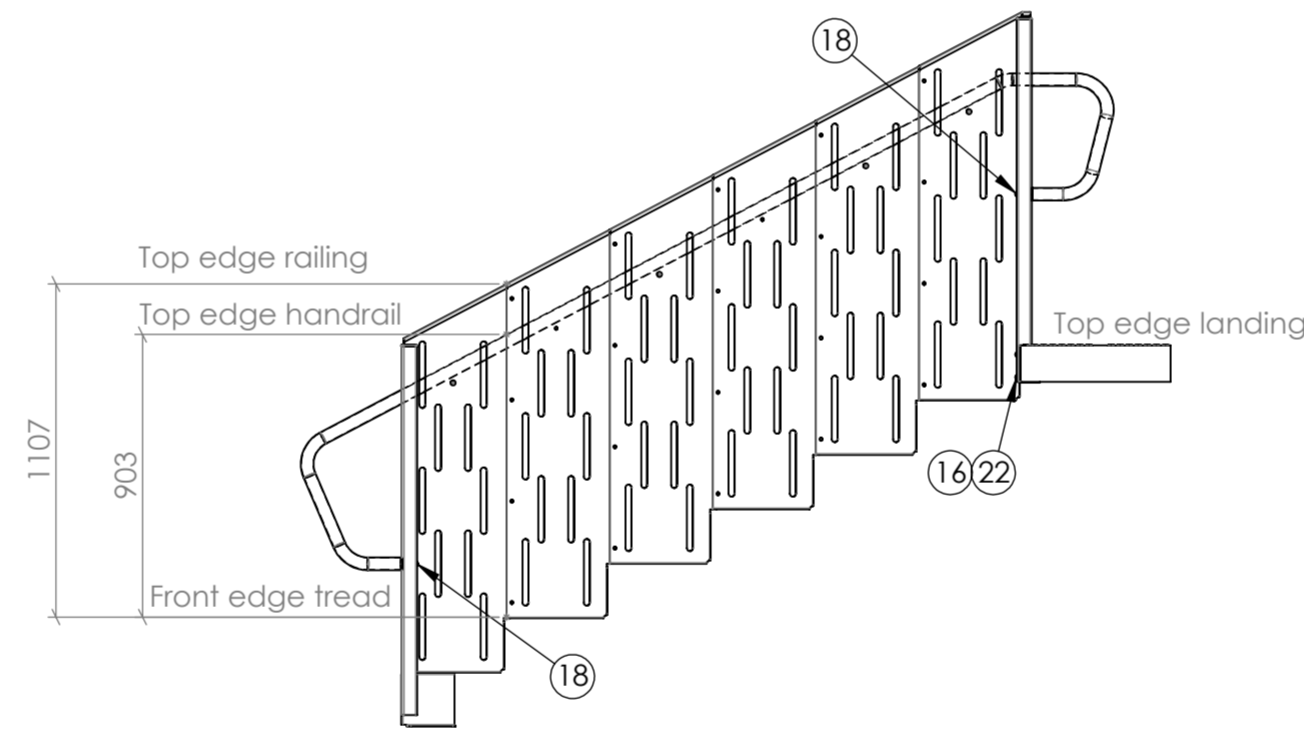
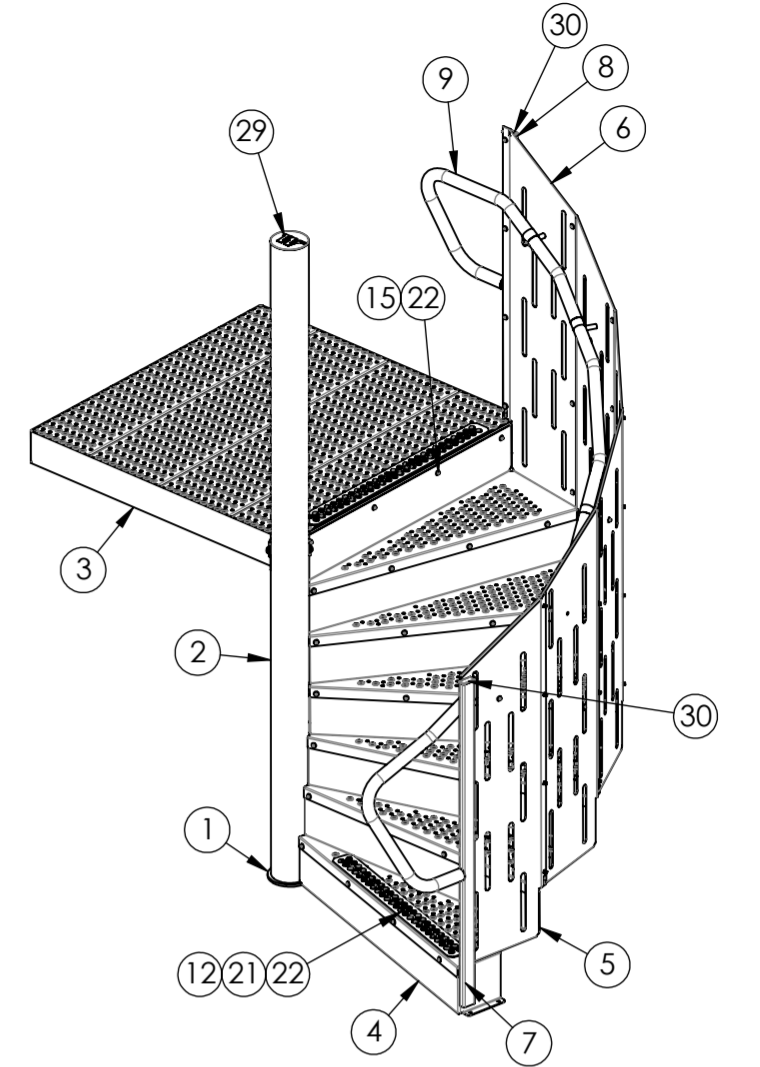
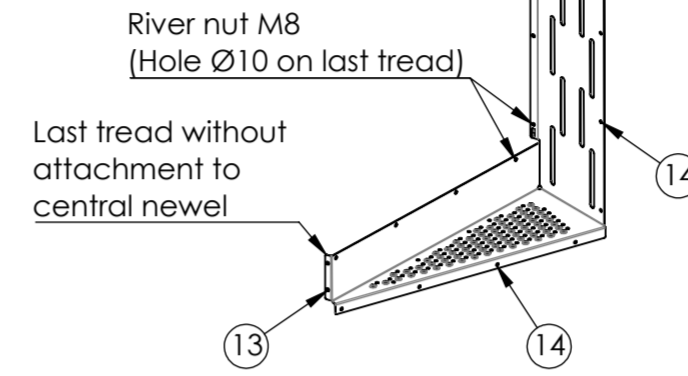


Landing with railing



Attachment of handrail
1:5

Mounted on the first and last tread and on every other tread from the third tread and onwards.



Patend Pending 21215660.8

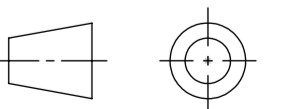
No.	Name	Dimension
1	Bottom plate	Ø150 h=100 mm
2	Central newel	Ø127
3	Landing	
4	Tread start	
5	Tread	
6	Tread end	
7	Railing post start	CFRHS 50x25
8	Railing post end	CFRHS 50x25
9	Handrail	Ø42
10	Landing railing post	CFRHS 40x40
11	Landing railing filling	
12	Contrast marking	
13	Hexagon socket button head screw	M10x25
14	Hexagon socket button head screw	M8x13
15	Hexagon socket button head screw	M8x16
16	Hexagon socket button head screw	M8x25
17	Hexagon socket button head screw	M8x50
18	Hexagon socket button head screw	M8x60
19	Hexagon head screw	M8x70
20	Hexagon head screw	M12x65
21	Countersunk screw	M8x35
22	Flange nut	M8
23	Flange nut	M12
24	Washer for landing railing post	80x30
25	Spacer for handrail	Ø16 L=70 mm
26	Spacer for landing railing filling	Ø12 L=12 mm
27	Clamp for handrail	Ø40 / Ø42
28	Clamp for handrail U	Ø42
29	Plastic cover for central newel	
30	Plastic cover for railing post start/end	
31	Plastic cover for handrail	

Bolts for fastening to wall or floor is not included in delivery.

Details not shown on the drawing will be manufactured as per Weland-standard.



Made by AS	Revised by
Creation date 2024-02-01	Revision date



Product Spiral staircase JOS Assembly drawing	Detail number 32271704	Scale 1:25
	Drawing number SW0000195782	Version -