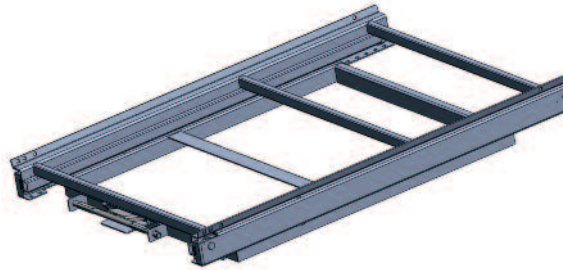


Operating and installation instruction for pull-out unit, 600 kg



Summary

The pull-out unit is dimensioned to fit the majority of commercially available pallet racks. The intention of the operating instruction is to inform the warehouse staff and company management about the risks associated with pull-out units and how to avoid these risks.

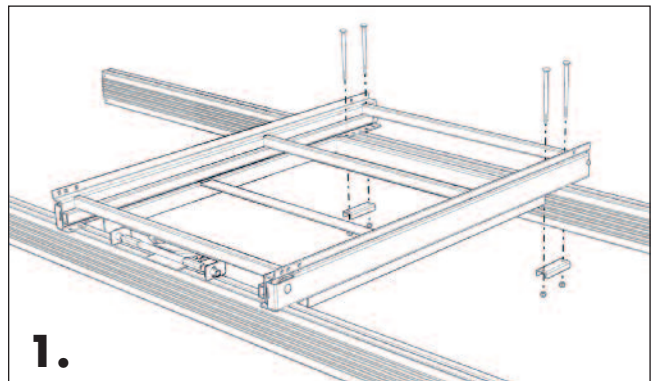
Installation Instruction



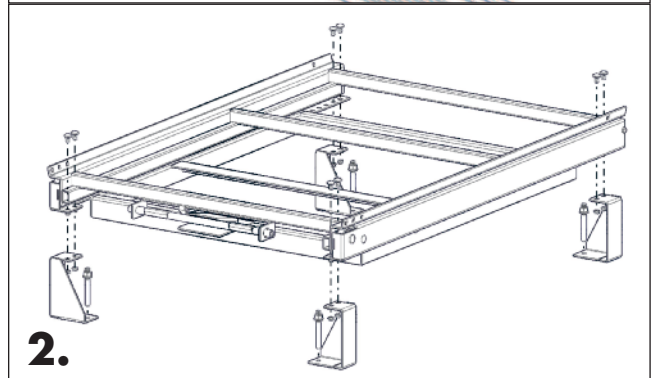
Tools needed for the installation

Spanner or impact wrench and sockets with wrench opening
13mm
16mm

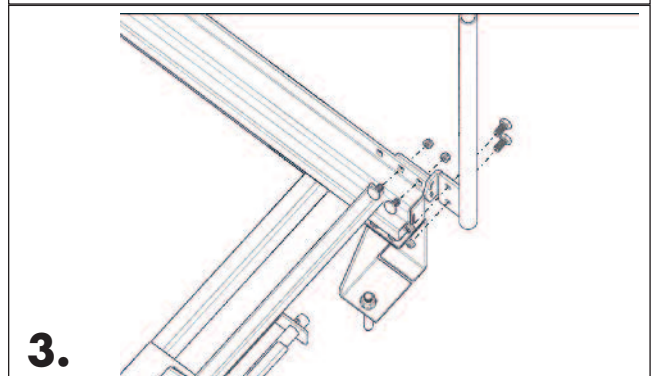
1. Place the pull-out unit across the front and rear support beam (beam model). Secure the rear section of the pull-out unit to the rear support beam using enclosed bolts (4 M8) and fixing iron.



2. The floor model consists of the standard pull-out unit and 4 feet as well as handle. Fasten the four feet to the pull-out unit using 2 bolts per foot. Secure the feet to the floor using expander bolts.



3. Fasten the handle to the pull-out unit using enclosed bolt.



Safety issues:

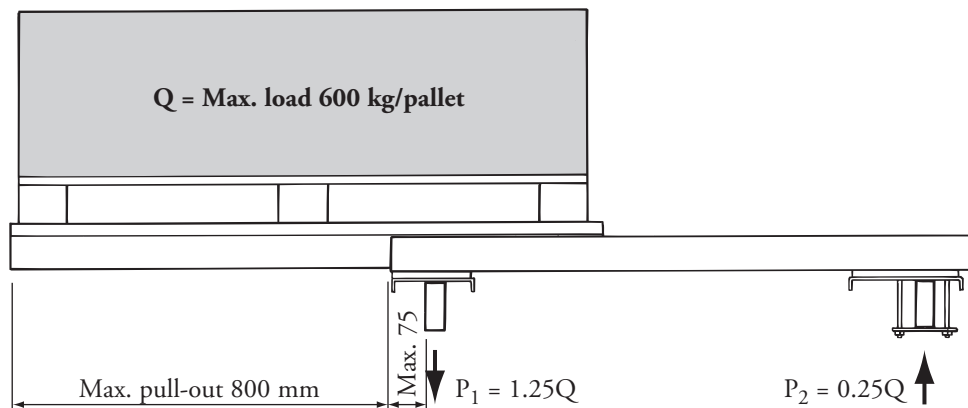
For safety reasons, it is important that the pull-out unit is always installed according to the instructions given in this operating instruction. The pull-out unit must be inspected in connection with installation and periodic checks made thereafter.

The following are especially important:

- Checks must be made to determine whether the pallet racking system is designed for the loading stresses encountered (SS-EN-15635).
- The pallet rack must be well anchored to the floor (e.g. expander bolts in concrete floor). All posts must be anchored according to the requirements in SS-EN-15635.
- The pull-out units' anchoring must be secured to the support beam with bolts as shown in figure 1.
- Only one pull-out unit should be pulled out at any one time. Exception can be made, if the conditions in table 1 are fulfilled.

NOTE! It is very important to comply with this!

- Rear support beam must be secured to the respective pallet rack post in order to be able to take up any lift (see table 1).



Load:

Max. load 600 kg/pallet

Beam length	Number of pull-out units/beam (Number pulled out at the same time)	Requirement for supporting floor capacity	Requirement for locking capacity/column
1K	1 (1)	1500 kg	75 kg
2K	2 (1)	2100 kg	113 kg
2K	2 (2)	3000 kg	150 kg
3K	3 (1)	2700 kg	125 kg
3K	3 (2)	3600 kg	200 kg
3K	3 (3)	4500 kg	225 kg

Inspection:

The pull-out unit's safety depends on regular inspections. Those who use the rack, supervisors, safety representatives etc. must cooperate to ensure the inspections are made.

NOTE! The inspection must be performed at least once a year.