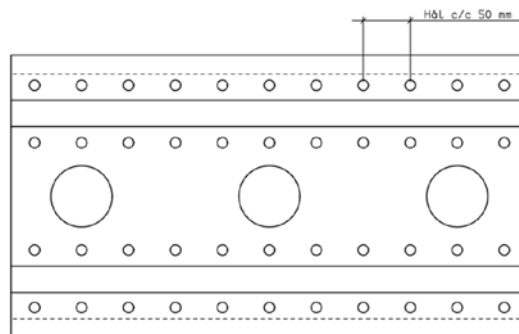
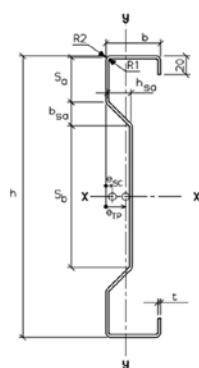


Tvärsnittsdata sigmabalk

Enkelbalk S350GD

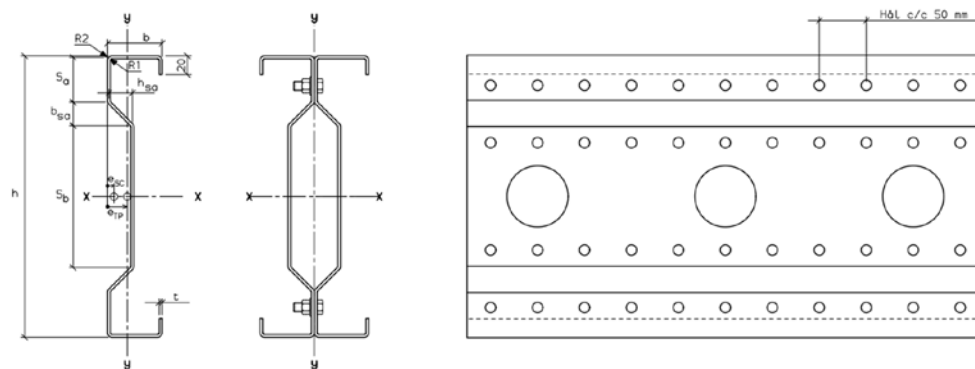
| Profil | Tvärsnittsmått (yttermått) | | | | | Mått till mittlinje för plåt | | | | | TP | SC | Bruttotvärsnitt, x-axel | | | | | Hål | Bruttotvärsnitt, y-axel | | | | Yta och massa | |
|----------|----------------------------|-----|-----|-----|-------|------------------------------|-------|-------|----------|----------|------|------|-------------------------|-----------------|-----------------|-----------------|-------|-----------------|-------------------------|-----------------|-----------------|-----------|-------------------|-------|
| | nr | h | b | t | R_1 | R_2 | s_b | s_a | b_{sa} | h_{sa} | | | r | e_{TP} | e_{SC} | A | I_x | | W_x | Z_x | r_x | A_{net} | I_y | W_y |
| S200/2 | 200 | 58 | 2,0 | 2,0 | 4,0 | 50 | 49,0 | 25 | 25 | 3,0 | 20,0 | -3,1 | 685 | 3,83 | 3,83 | 4,63 | 74,8 | 568 | 0,244 | 0,659 | 1,08 | 18,9 | 0,722 | 5,55 |
| S200/2,5 | 200 | 58 | 2,5 | 2,0 | 4,5 | 50 | 48,8 | 25 | 25 | 3,25 | 19,8 | -2,7 | 864 | 4,79 | 4,79 | 5,81 | 74,5 | 715 | 0,301 | 0,816 | 1,34 | 18,7 | 0,718 | 6,91 |
| S200/3 | 200 | 58 | 3,0 | 2,0 | 5,0 | 50 | 48,5 | 25 | 25 | 3,5 | 19,6 | -2,3 | 1040 | 5,73 | 5,73 | 6,98 | 74,2 | 861 | 0,355 | 0,964 | 1,60 | 18,5 | 0,714 | 8,24 |
| S200/4 | 200 | 58 | 4,0 | 2,0 | 6,0 | 50 | 48,0 | 25 | 25 | 4,0 | 19,3 | -1,5 | 1388 | 7,52 | 7,52 | 9,22 | 73,6 | 1144 | 0,451 | 1,23 | 2,09 | 18,0 | 0,704 | 10,8 |
| S200/5 | 200 | 58 | 5,0 | 2,0 | 7,0 | 50 | 47,5 | 25 | 25 | 4,5 | 18,9 | -0,8 | 1724 | 9,19 | 9,19 | 11,1 | 73,0 | 1417 | 0,534 | 1,46 | 2,54 | 17,6 | 0,695 | 13,3 |
| S300/2 | 300 | 58 | 2,0 | 2,0 | 4,0 | 150 | 49,0 | 25 | 25 | 3,0 | 21,1 | 10,9 | 874 | 10,3 | 6,89 | 8,53 | 109 | 670 | 0,248 | 0,69 | 1,12 | 16,8 | 0,914 | 6,99 |
| S300/2,5 | 300 | 58 | 2,5 | 2,0 | 4,5 | 150 | 48,8 | 25 | 25 | 3,25 | 20,9 | 11,2 | 1102 | 12,9 | 8,63 | 10,7 | 108 | 844 | 0,305 | 0,853 | 1,40 | 16,6 | 0,909 | 8,69 |
| S300/3 | 300 | 58 | 3,0 | 2,0 | 5,0 | 150 | 48,5 | 25 | 25 | 3,5 | 20,8 | 11,6 | 1327 | 15,5 | 10,3 | 12,9 | 108 | 1015 | 0,360 | 1,01 | 1,67 | 16,5 | 0,904 | 10,4 |
| S300/4 | 300 | 58 | 4,0 | 2,0 | 6,0 | 150 | 48,0 | 25 | 25 | 4,0 | 20,5 | 12,2 | 1780 | 20,5 | 13,7 | 17,1 | 107 | 1356 | 0,461 | 1,30 | 2,22 | 16,1 | 0,896 | 13,7 |
| S300/5 | 300 | 58 | 5,0 | 2,0 | 7,0 | 150 | 47,5 | 25 | 25 | 4,5 | 20,3 | 12,9 | 2219 | 25,3 | 16,8 | 21,2 | 107 | 1684 | 0,550 | 1,56 | 2,69 | 15,7 | 0,887 | 16,9 |
| S400/2 | 400 | 58 | 2,0 | 2,0 | 4,0 | 150 | 99,0 | 25 | 25 | 3,0 | 17,3 | 7,1 | 1059 | 20,6 | 10,3 | 13,1 | 139 | 855 | 0,313 | 0,789 | 1,54 | 17,2 | 1,110 | 8,51 |
| S400/2,5 | 400 | 58 | 2,5 | 2,0 | 4,5 | 150 | 98,8 | 25 | 25 | 3,25 | 17,2 | 7,4 | 1341 | 26,0 | 13,0 | 16,6 | 139 | 1083 | 0,391 | 0,99 | 1,94 | 17,1 | 1,109 | 10,6 |
| S400/3 | 400 | 58 | 3,0 | 2,0 | 5,0 | 150 | 98,5 | 25 | 25 | 3,5 | 17,1 | 7,8 | 1617 | 31,3 | 15,6 | 19,9 | 139 | 1304 | 0,462 | 1,17 | 2,32 | 16,9 | 1,104 | 12,7 |
| S400/4 | 400 | 58 | 4,0 | 2,0 | 6,0 | 150 | 98,0 | 25 | 25 | 4,0 | 16,8 | 8,4 | 2173 | 41,6 | 20,8 | 26,6 | 138 | 1750 | 0,597 | 1,53 | 3,07 | 16,6 | 1,096 | 16,8 |
| S400/5 | 400 | 58 | 5,0 | 2,0 | 7,0 | 150 | 97,5 | 25 | 25 | 4,5 | 16,6 | 9,0 | 2714 | 51,3 | 25,7 | 33,0 | 137 | 2180 | 0,717 | 1,84 | 3,78 | 16,3 | 1,087 | 20,8 |
| Multipel | | | | | | | | | | | | | 10^6 | 10^4 | 10^4 | | | | 10^6 | 10^4 | 10^4 | | | |
| Enhet | mm | mm | mm | mm | mm | mm | mm | mm | mm | mm | mm | mm | mm ² | mm ⁴ | mm ³ | mm ³ | mm | mm ² | mm ⁴ | mm ³ | mm ³ | mm | m ² /m | kg/m |



Tvärsnittsdata sigmabalk

Dubbelbalk S350GD

| Profil | Tvärsnittsmått (yttermått) | | | | | Mått till mittlinje för plåt | | | | | TP | SC | Bruttotvärsnitt, x-axel | | | | | Hål | Bruttotvärsnitt, y-axel | | | | Yta och massa | |
|----------|----------------------------|-----|-----|-----|-------|------------------------------|-------|-------|----------|----------|----|----|-------------------------|-----------------|-----------------|-----------------|-------|-----------------|-------------------------|-----------------|-----------------|-----------|-------------------|-------|
| | nr | h | b | t | R_1 | R_2 | s_b | s_a | b_{sa} | h_{sa} | | | r | e_{TP} | e_{SC} | A | I_x | | W_x | Z_x | r_x | A_{net} | I_y | W_y |
| S200/2 | 200 | 58 | 2,0 | 2,0 | 4,0 | 50 | 49,0 | 25 | 25 | 3,0 | 0 | 0 | 1370 | 7,66 | 7,66 | 9,26 | 74,8 | 1136 | 1,09 | 1,88 | 2,87 | 28,2 | 1,443 | 11,1 |
| S200/2,5 | 200 | 58 | 2,5 | 2,0 | 4,5 | 50 | 48,8 | 25 | 25 | 3,25 | 0 | 0 | 1727 | 9,58 | 9,58 | 11,6 | 74,5 | 1430 | 1,37 | 2,36 | 3,63 | 28,2 | 1,436 | 13,8 |
| S200/3 | 200 | 58 | 3,0 | 2,0 | 5,0 | 50 | 48,5 | 25 | 25 | 3,5 | 0 | 0 | 2080 | 11,5 | 11,5 | 14,0 | 74,2 | 1722 | 1,64 | 2,83 | 4,39 | 28,1 | 1,429 | 16,5 |
| S200/4 | 200 | 58 | 4,0 | 2,0 | 6,0 | 50 | 48,0 | 25 | 25 | 4,0 | 0 | 0 | 2775 | 15,0 | 15,0 | 18,4 | 73,6 | 2288 | 2,15 | 3,72 | 5,90 | 27,8 | 1,408 | 21,6 |
| S200/5 | 200 | 58 | 5,0 | 2,0 | 7,0 | 50 | 47,5 | 25 | 25 | 4,5 | 0 | 0 | 3447 | 18,4 | 18,4 | 22,3 | 73,0 | 2834 | 2,65 | 4,57 | 7,38 | 27,7 | 1,390 | 26,6 |
| S300/2 | 300 | 58 | 2,0 | 2,0 | 4,0 | 150 | 49,0 | 25 | 25 | 3,0 | 0 | 0 | 1748 | 20,6 | 13,8 | 17,1 | 109 | 1340 | 1,34 | 2,32 | 3,85 | 27,7 | 1,827 | 14,0 |
| S300/2,5 | 300 | 58 | 2,5 | 2,0 | 4,5 | 150 | 48,8 | 25 | 25 | 3,25 | 0 | 0 | 2203 | 25,8 | 17,3 | 21,4 | 108 | 1688 | 1,69 | 2,92 | 4,88 | 27,7 | 1,818 | 17,4 |
| S300/3 | 300 | 58 | 3,0 | 2,0 | 5,0 | 150 | 48,5 | 25 | 25 | 3,5 | 0 | 0 | 2654 | 31,0 | 20,6 | 25,8 | 108 | 2030 | 2,04 | 3,51 | 5,91 | 27,7 | 1,809 | 20,7 |
| S300/4 | 300 | 58 | 4,0 | 2,0 | 6,0 | 150 | 48,0 | 25 | 25 | 4,0 | 0 | 0 | 3561 | 41,0 | 27,4 | 34,2 | 107 | 2712 | 2,73 | 4,71 | 8,02 | 27,7 | 1,791 | 27,3 |
| S300/5 | 300 | 58 | 5,0 | 2,0 | 7,0 | 150 | 47,5 | 25 | 25 | 4,5 | 0 | 0 | 4437 | 50,6 | 33,6 | 42,4 | 107 | 3368 | 3,40 | 5,86 | 10,1 | 27,7 | 1,774 | 33,8 |
| S400/2 | 400 | 58 | 2,0 | 2,0 | 4,0 | 150 | 99,0 | 25 | 25 | 3,0 | 0 | 0 | 2117 | 41,2 | 20,6 | 26,2 | 139 | 1710 | 1,33 | 2,30 | 3,87 | 25,1 | 2,219 | 17,0 |
| S400/2,5 | 400 | 58 | 2,5 | 2,0 | 4,5 | 150 | 98,8 | 25 | 25 | 3,25 | 0 | 0 | 2682 | 52,1 | 26,0 | 33,2 | 139 | 2166 | 1,69 | 2,92 | 4,94 | 25,1 | 2,218 | 21,3 |
| S400/3 | 400 | 58 | 3,0 | 2,0 | 5,0 | 150 | 98,5 | 25 | 25 | 3,5 | 0 | 0 | 3234 | 62,6 | 31,2 | 39,8 | 139 | 2608 | 2,04 | 3,52 | 6,00 | 25,1 | 2,209 | 25,4 |
| S400/4 | 400 | 58 | 4,0 | 2,0 | 6,0 | 150 | 98,0 | 25 | 25 | 4,0 | 0 | 0 | 4347 | 83,2 | 41,6 | 53,2 | 138 | 3500 | 2,73 | 4,71 | 8,18 | 25,1 | 2,191 | 33,6 |
| S400/5 | 400 | 58 | 5,0 | 2,0 | 7,0 | 150 | 97,5 | 25 | 25 | 4,5 | 0 | 0 | 5427 | 103 | 51,4 | 66,0 | 137 | 4360 | 3,41 | 5,88 | 10,3 | 25,1 | 2,174 | 41,6 |
| Multipel | | | | | | | | | | | | | 10^6 | 10^4 | 10^4 | | | | 10^6 | 10^4 | 10^4 | | | |
| Enhet | mm | mm | mm | mm | mm | mm | mm | mm | mm | mm | mm | mm | mm ² | mm ⁴ | mm ³ | mm ³ | mm | mm ² | mm ⁴ | mm ³ | mm ³ | mm | m ² /m | kg/m |



Avstånd mellan skruvar vid dubbelbalkar

1000 mm om balkarna är stagade i sidled
 500 mm på den tryckta sidan om balkarna
 kan knäcka ut sidled, 1000 på den dragna

500 mm på båda sidor om balkarna
 är tryckta eller om man inte säkert
 vet hur balkarna kommer att vändas