

## Sectional railing, intermediate rail and possible kickplate Side mounting

### Baluster :

Located at max c/c 1000 mm.

### Handrail/Intermediate rail:

Supplied in standard lengths with loose corners.

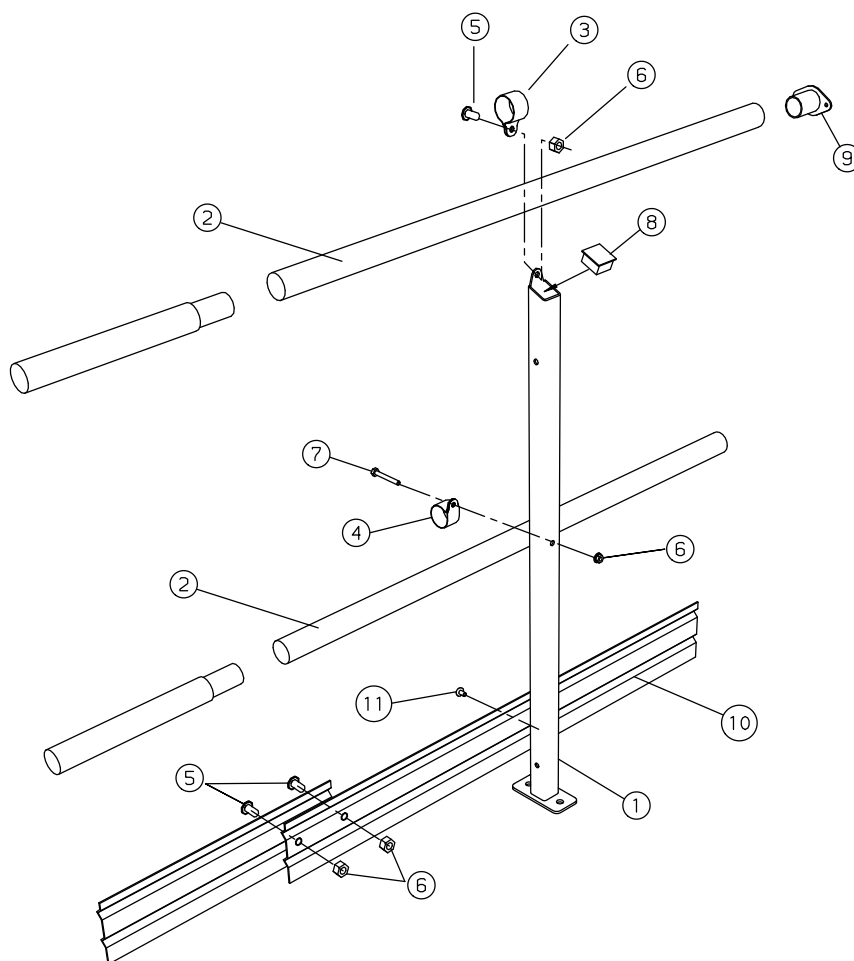
### Kickplate:

Supplied in length 3000 mm with loose corners.

Hole  $\varnothing$  6 mm for joints and attachment to the balusters should be drilled at assembly.

Det.No	Description	Article No
1	Baluster SHS 40x40 , side mounting	17111861
2	Stainless tubular steel $\varnothing$ 42x1,5	-
3	Handrail clamp	16342015
4	Intermediate rail clamp	16342022
5	Screw K6S M8x16	164608162
6	Flanged nut M6MF M8	1646082
7	Screw M6S M8x60	163606001
8	End plug for SHS 40x40,plastic	759ÄH40
9	Wall attachment	76842151
10	Kickplate L=3000, H=130	17430011
11	Self-tapping screw, STAPS 5,5x26	16406262

e4-24136-1e



## Sectional railing, intermediate rail and possible kickplate Top mounting

### Baluster :

Located at max c/c 1000 mm.

### Handrail/Intermediate rail:

Supplied in standard lengths with loose corners.

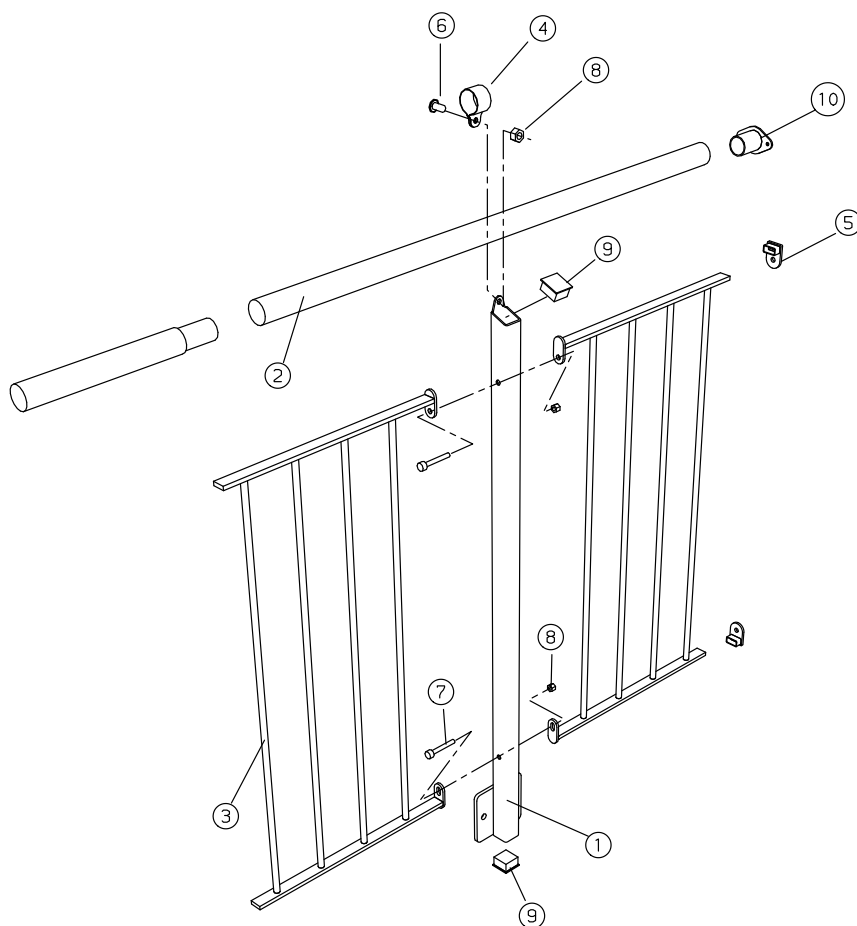
### Kickplate:

Supplied in length 3000 mm with loose corners.

Hole  $\varnothing$  6 mm for joints and attachment to the balusters should be drilled at assembly.

Det.No	Description	Article No
1	Baluster SHS 40x40 , top mounting	17110561
2	Stainless tubular steel $\varnothing$ 42x1,5	-
3	Handrail clamp	16342015
4	Intermediate rail clamp	16342022
5	Screw K6S M8x16	164608162
6	Flanged nut M6MF M8	1646082
7	Screw M6S M8x60	163606001
8	End plug for SHS 40x40,plastic	759ÅH40
9	Wall attachment	76842151
10	Kickplate L=3000 mm, H=130 mm	17430011
11	Self-tapping screw, STAPS 5,5x26	16406262

e4-24136-2e



## Sectional railing, round bar Side mounting

### Baluster :

Located at c/c 1000 mm.

### Handrail:

Supplied in standard lengths with loose corners.

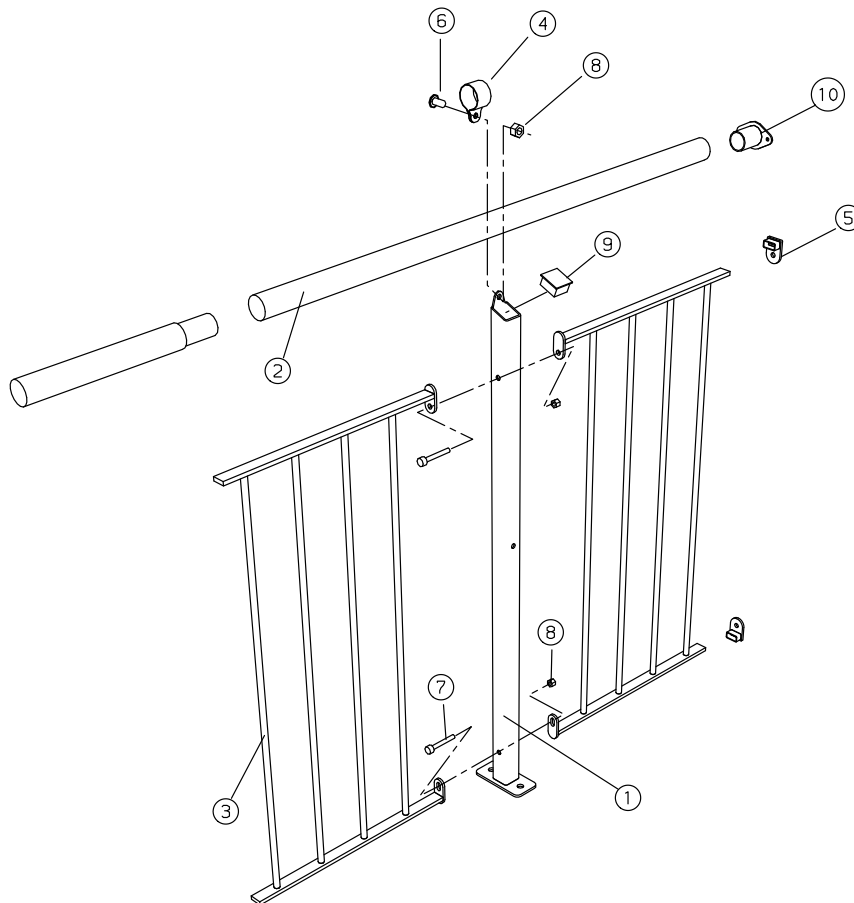
### Round bar rail:

Supplied in length 1000 mm.

If railing must be cut, use loose bracket (det.no 5).

Det.No	Description	Article No
1	Baluster SHS 40x40 , side mounting	17111861
2	Stainless tubular steel Ø 42x1,5	-
3	Round bar rail	17109601
4	Handrail clamp	16342015
5	Bracket for round bar balustrade	17135151
6	Screw K6S M8x16	164608162
7	Screw M6S M8x60	163606001
8	Flanged nut M6MF M8	1646082
9	End plug for SHS 40x40, plastic	759ÄH40
10	Wall attachment for handrail	76842151

e4-24137-1e



## Sectional railing, round bar Top mounting

### Baluster :

Located at c/c 1000 mm.

### Handrail:

Supplied in standard lengths with loose corners.

### Round bar rail:

Supplied in length 1000 mm.

If railing must be cut, use loose bracket (det.no 5).

Det.No	Description	Article No
1	Baluster SHS 40x40 , top mounting	17110561
2	Stainless tubular steel Ø 42x1,5	-
3	Round bar rail	17109601
4	Handrail clamp	16342015
5	Bracket for round bar balustrade	17135151
6	Screw K6S M8x16	164608162
7	Screw M6S M8x60	163606001
8	Flanged nut M6MF M8	1646082
9	End plug for SHS 40x40, plastic	759ÅH40
10	Wall attachment for handrail	76842151

e4-24137-2e